

READ AND SAVE THESE INSTRUCTIONS

Safety Instructions

- This product is rated as IP66 Waterproof. It can be used outdoors but cannot be immersed in water.
- The power adapter is not waterproof. Avoid exposing it to splashes, water drops, or high-humidity environments.
- Tighten up the waterproof cap before installing the flood lights.
- The internal light sources of the light bars and strip light cannot be replaced. If the light sources sustain damage, the product should be replaced.
- Do not allow children to assemble and install this product without adult supervision.
- Avoid installing this product near major heat sources.
- External dimmers cannot be used with this product.
- Use this product with the provided power adapter only.

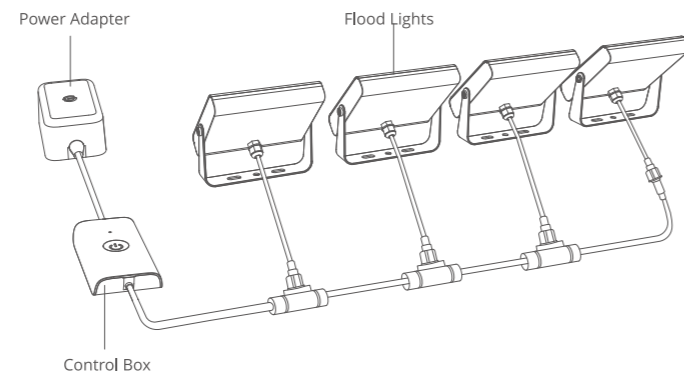
Introduction

Thanks for choosing Govee Flood Lights. You can use Govee Home App to adjust light color, select modes, and set timers.

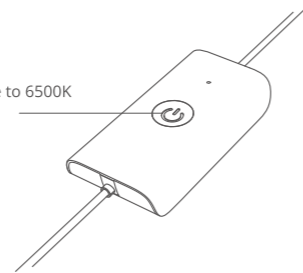
What You Get

Item	Quantity
Flood Lights	4
Power Cable	1
Ground Sticks	4
Screws	4
User Manual	1
Service Card	1

At a Glance

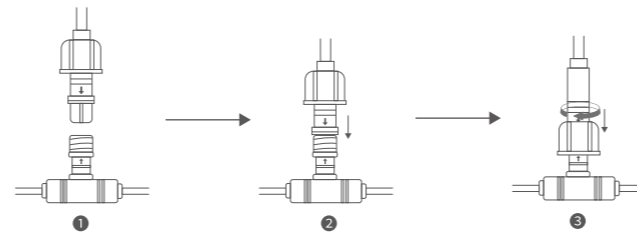


- Press to turn on and off.
- Double press to switch color temperature to 6500K and maximize brightness.
- Press and hold for 5 seconds to reset.



Installing Your Flood Lights

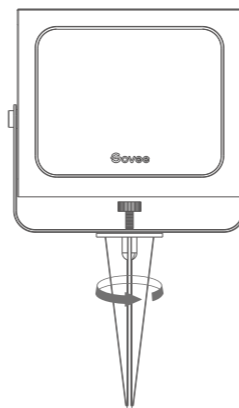
1. Attach the 4 flood lights to the control cable. Tighten the waterproof cable protector.



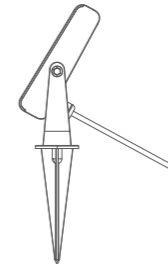
Note: Only when all four lights are attached on the control cable can this device function properly.

2. Attach a ground stake to the stand of each flood light.

Note: If you plan to install this product on very hard ground, please separately purchase expansion bolts or metal stakes.



3. Install each flood light on the ground and adjust the angle of its beam.



4. Plug the power adapter into power.

Note: Avoid placing the control box directly on the ground, otherwise the Wi-Fi and Bluetooth connection may be intervened.

Pairing Your Device with Govee Home App

What You Need:

- A Wi-Fi router supporting the 2.4GHz and 802.11 b/g/n bands (5GHz is not supported).
- A smartphone or tablet running iOS or Android.

Pairing Instructions

- 1 Download Govee Home App from App Store (IOS) or Google Play (Android).
- 2 Enable your smartphone's Bluetooth.
- 3 Open the app, tap the "+" icon in the top right corner and search for "H7060."
- 4 Tap the device icon and follow the on-screen instructions to complete pairing.



Govee Home App

For FAQs and more information, please visit: www.govee.com

Specifications

Power Input (Adapter)	AC 100-240V 50/60Hz 0.8A Max
Power Output (Adapter)	DC 24V/1A
Power Cord Length	39.4ft/12m
Light Color	RGBWW
Maximum Brightness	500lm/per flood light (Color Temperature: 2700-6500K)
Waterproof	Adapter (IPX0) Control Box (IPX5) Flood Lights (IP66)
Working Temperature	-20~50°C/-4~122°F

Troubleshooting

- 1 Cannot connect to Govee Home App.
 - Make sure the device is powered on.
 - Make sure your smartphone's Bluetooth has been enabled.
 - Make sure your smartphone is connected to a 2.4GHz WiFi network.
 - Position your smartphone close to the control box, then try connecting again.
- 2 One or more flood lights fail to light up.
 - Remove the light and then reattach it to the power cable. Also unplug the power adapter and then plug back into power.
 - If the problem persists, please contact Govee Customer Service.

Customer Service

- 🔧 Warranty: 12-Month Limited Warranty
- 📞 Support: Lifetime Technical Support
- ✉ Email: support@govee.com
- 🌐 Official Website: www.govee.com
- 📺 @Govee 📷 @govee_official 📺 @govee.official
- 🐦 @Goveeofficial 📘 @Govee.smarthome

FCC and ISED Canada Statement

This device complies with Part 15 of the FCC Rules and Industry Canada licence-exempt RSS standard(s). Operation is subject to the following two conditions:
(1) This device may not cause harmful interference, and
(2) This device must accept any interference received, including interference that may cause undesired operation.
Warning: Changes or modifications not expressly approved by the party responsible for compliance could void the user's authority to operate the equipment.

Le présent appareil est conforme aux CNR d'Industrie Canada applicables aux appareils radio exempts de licence. L'exploitation est autorisée aux deux conditions suivantes :
(1) l'appareil nedit pas produire de brouillage, et
(2) l'utilisateur de l'appareil doit accepter tout brouillage radioélec trique subi, même si le brouillage est susceptible d'en compromettre le fonctionnement.

NOTE: This equipment has been tested and found to comply with the limits for a Class B digital device, pursuant to Part 15 of the FCC Rules.

These limits are designed to provide reasonable protection against harmful interference in a residential installation. This equipment generates uses and can radiate radio frequency energy and, if not installed and used in accordance with the instructions, may cause harmful interference to radio communications. However, there is no guarantee that interference will not occur in a particular installation. If this equipment does cause harmful interference to radio or television reception, which can be determined by turning the equipment off and on, the user is encouraged to try to correct the interference by one or more of the following measures:

1. Reorient or relocate the receiving antenna.
2. Increase the separation between the equipment and receiver.
3. Connect the equipment into an outlet on a circuit different from that to which the receiver is connected.
4. Consult the dealer or an experienced radio/TV technician for help.

This Class B digital apparatus complies with Canadian ICES-005.
Cet appareil numérique de la classe B est conforme à la norme NMB-005 du Canada.

FCC and IC Radiation Exposure Statement

This equipment complies with FCC and IC radiation exposure limits set forth for an uncontrolled environment. This equipment should be installed and operated with minimum distance 20cm between the radiator & your body.

la distance entre l'utilisation et l'appareil ne doit pas être inférieure à 20 cm.

This device uses a non-replaceable light source. When the light source reaches the end of its life cycle, this device should be replaced.
Not intended for illumination. Only used for creating ambiance.

1. Do not connect the rope light to the supply while it is in the packing or wound onto a reel;
2. Do not use the rope light when covered or recessed into a surface;
3. Do not open or cut the rope light;

Responsible party :

Name: GOVEE MOMENTS(US) TRADING LIMITED
Address: 13013 WESTERN AVE STE 5 BLUE ISLAND IL 60406-2448
Email: support@govee.com
Contact information: https://www.govee.com/support

The Bluetooth® word mark and logos are registered trademarks owned by Bluetooth SIG, Inc. and any use of such marks by Shenzhen Intellirocks Tech. Co., Ltd. is under license.

Govee is a trademark of Shenzhen Intellirocks Tech Co., Ltd.
Copyright ©2021 Shenzhen Intellirocks Tech Co., Ltd. All Rights Reserved.



User Manual

Model: H7060
Govee RGBIC flood light